

CHAPTER

56

WINDOWS

CESSNA®
MODEL 208
ILLUSTRATED PARTS CATALOG

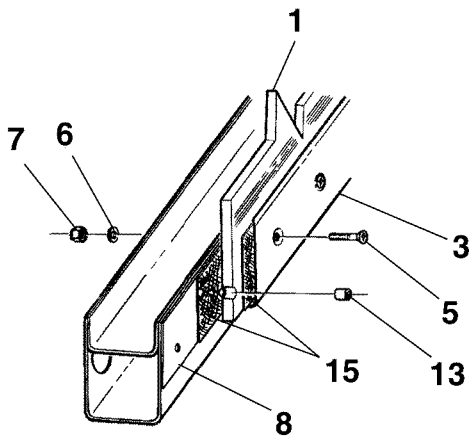
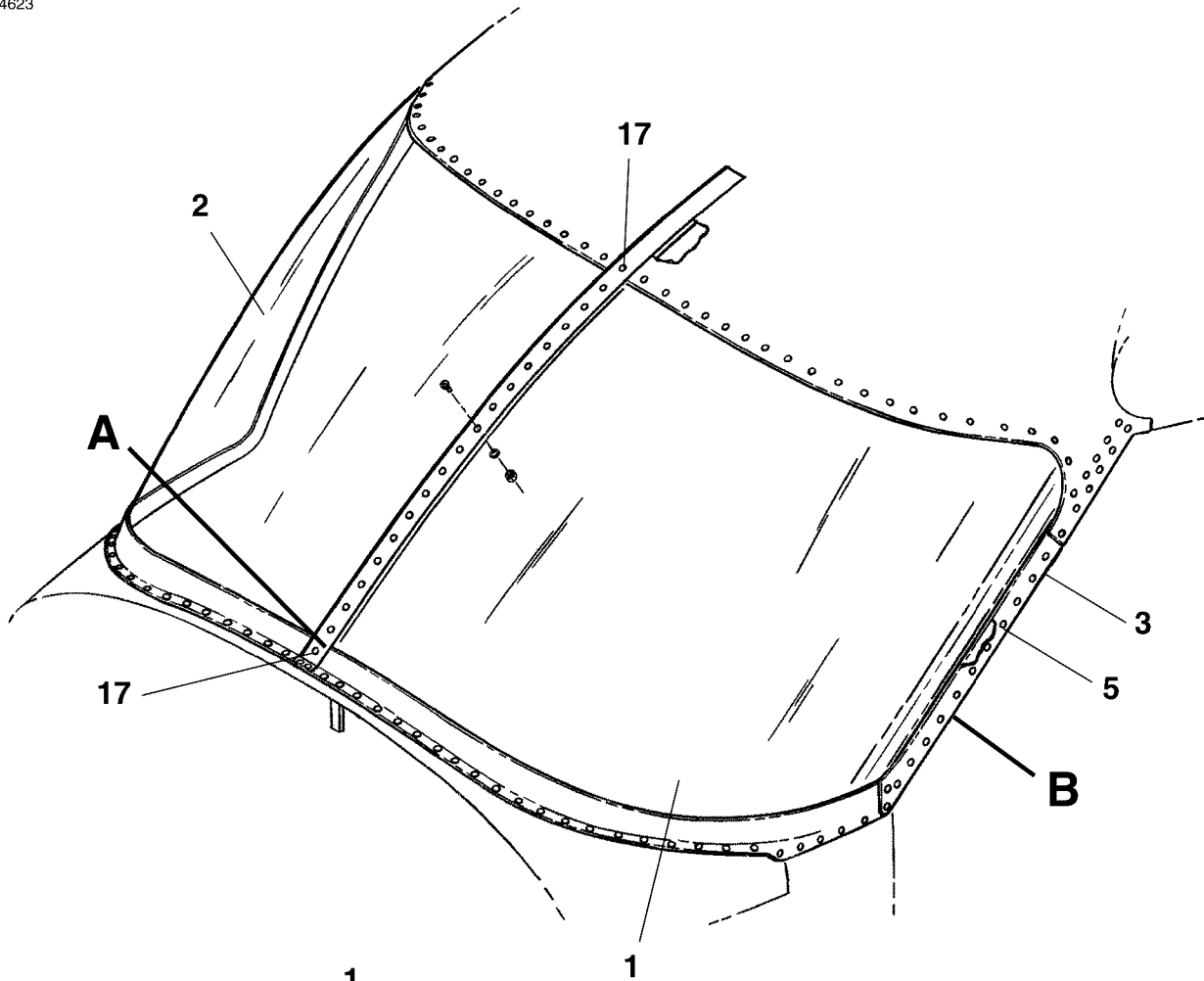
| <u>CHAPTER SECTION SUBJECT</u> | | <u>NUMBER OF PAGES</u> | <u>DATE</u> |
|--|-----------|--------------------------------|-------------|
| 56 - TITLE | | | |
| 56 - LIST OF EFFECTIVE PAGES | | | |
| 56 - RECORD OF TEMPORARY REVISIONS | | | |
| 56 - TABLE OF CONTENTS | | | |
| 56-10-00 | Figure 01 | 4 | Sep 1/2017 |
| 56-20-00 | Figure 01 | 2 | Mar 1/2006 |
| 56-20-00 | Figure 02 | 2 | Sep 1/2019 |
| 56-21-00 | Figure 01 | 2 | Mar 1/2008 |
| 56-21-00 | Figure 02 | 2 | Jun 1/2010 |
| 56-30-00 | Figure 01 | 2 | Mar 1/2015 |
| 56-30-00 | Figure 02 | 2 | Oct 15/1999 |

CESSNA®
MODEL 208
 ILLUSTRATED PARTS CATALOG

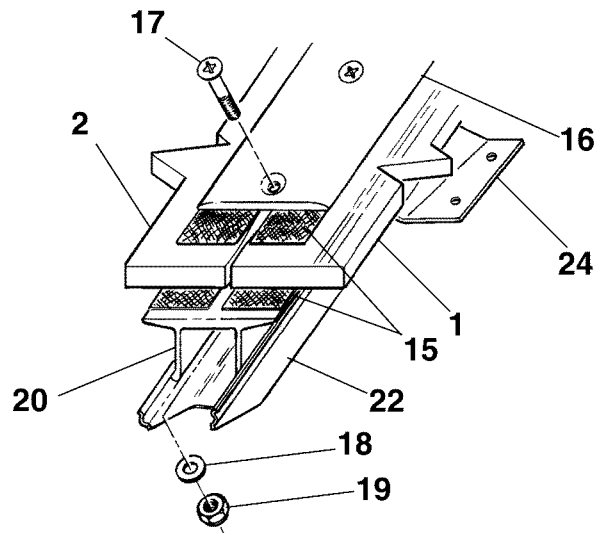
| <u>SUBJECT</u> | <u>CHAPTER SECTION SUBJECT</u> | <u>FIGURE</u> | <u>EFFECTIVITY</u> | |
|--|--|---------------|--------------------|--------------|
| | | | <u>START</u> | <u>END</u> |
| WINDSHIELD INSTALLATION | 56-10-00 | 01 | | |
| CABIN WINDOWS INSTALLATION | 56-20-00 | 01 | 0001 | & ON |
| CABIN WINDOWS INSTALLATION PASSENGER VERSION | 56-20-00 | 02 | B0214 | & ON |
| WINDOW PLUG INSTALLATION | 56-21-00 | 01 | 0114 | & ON |
| WINDOW PLUG INSTALLATION - PASSENGER VERSION | 56-21-00 | 02 | B0214 | & ON |
| CREW AND PASSENGER DOOR WINDOWS | 56-30-00 | 01 | | |
| CARGO DOOR WINDOWS | 56-30-00 | 02 | 0001 B0214 | & ON & ON |

CESSNA®
MODEL 208
 ILLUSTRATED PARTS CATALOG

A24623



DETAIL B



DETAIL A

26132004
 A26131012
 B26131014

WINDSHIELD INSTALLATION
 FIGURE 01 (SHEET 1)

**CESSNA®
MODEL 208
ILLUSTRATED PARTS CATALOG**

| FIG ITEM | PART NUMBER | NOMENCLATURE | UNITS PER ASSY | |
|-------------|---------------|--|----------------------|----|
| | | | 1 2 3 4 5 6 7 | |
| 01 | | WINDSHIELD INSTALLATION | | RF |
| - | | | | |
| 1 | 2613088-1 | . WINDSHIELD-LH 5/16 ACRYLIC | 0001 0499 | 01 |
| | | | B0001 B1999 | |
| - 1A | 2613088-5 | . WINDSHIELD-LH 5/16 ACRYLIC | 0500 & ON | 01 |
| | | | B2000 & ON | |
| 2 | 2613088-2 | . WINDSHIELD-RH 5/16 ACRYLIC | | 01 |
| 3 | 2613141-1 | . RETAINER-LH .032 2024 T42 | | 01 |
| - 4 | 2613141-2 | . RETAINER-RH .032 2024 T42 | | 01 |
| - 4A | DDA06273-1 | . RETAINER-RH REF 2613141 REFER TO NOTE 3 | B2275 B2277 | 01 |
| - 4B | DDA06297-1 | . RETAINER-RH REF 2613141 REFER TO NOTE 3 | B2288 B2288 | 01 |
| 5 | MS24694-S56 | . SCREW | | 09 |
| 6 | NAS1149F0363P | . WASHER | | 15 |
| 7 | MS21044N3 | . NUT | | 15 |
| 8 | 2613215-1 | . SHIM NOT USED ON EXPORT .063 2024 T4 | | 02 |
| - 9 | 2613123-3 | . SHIM-LH UPR FSO 2613481-1 | 0001 0416 | NP |
| | | | B0001 B1268 | |
| - 9A | 2613481-1 | . SHIM-LH UPR | 0417 & ON | 01 |
| | | | B1269 & ON | |
| - 10 | 2613123-4 | . SHIM-RH UPR FSO 2613481-2 | 0001 0416 | NP |
| | | | B0001 B1268 | |
| - 10A | 2613481-2 | . SHIM-RH UPR | 0417 & ON | 01 |
| | | | B1269 & ON | |
| - 11 | 2613120-3 | . SHIM-LH LWR FSO 2613480-1 | 0001 0416 | NP |
| | | | B0001 B1268 | |
| - 11A | 2613480-1 | . SHIM-LH LWR | 0417 & ON | 01 |
| | | | B1269 & ON | |
| - 12 | 2613120-4 | . SHIM-RH LWR FSO 2613480-2 | 0001 0416 | NP |
| | | | B0001 B1268 | |
| - 12A | 2613480-2 | . SHIM-RH LWR | 0417 & ON | 01 |
| | | | B1269 & ON | |
| 13 | 2613392-1 | . BUSHING | 0001 0035 | 67 |
| - 14 | 5111602-16 | . GROMMET | 0036 & ON | 67 |
| | | | B0001 & ON | |
| 15 | | . SEALANT REFER TO NOTE 2 | | RF |
| 16 | 2613192-1 | . RETAINER-CENTER POST S2604-1 | | 01 |
| 17 | MS24694-S9 | . SCREW | | 20 |
| 18 | NAS1149FN832P | . WASHER | 0001 0049 | 20 |
| 19 | MS21044N08 | . NUT | 0001 0049 | 20 |
| 20 | 2613151-3 | . POST-CENTER WINDSHIELD S2605-1 | | 01 |
| - 21 | MS21047L3 | . NUTPLATE S2605-1 | | 20 |
| 22 | 2613391-1 | . COVER STRIP .050 2024 T3 REFER TO NOTE 1 | 0013 0499 | 01 |
| | | | B0001 B1999 | |
| - 22A | 2613482-1 | . COVER-CTR POST | 0500 & ON | 01 |
| | | | B2000 & ON | |
| - 23 | S1741-1 | . ANCHOR | | 02 |
| 24 | 2613398-1 | . BRACKET-CTR POST ATTACH LH .032 2024 T42 | 0096 & ON | 01 |
| | | | B0001 & ON | |
| - 25 | 2613398-2 | . BRACKET-CTR POST ATTACH RH .032 2024 T42 | 0096 & ON | 01 |
| | | | B0001 & ON | |

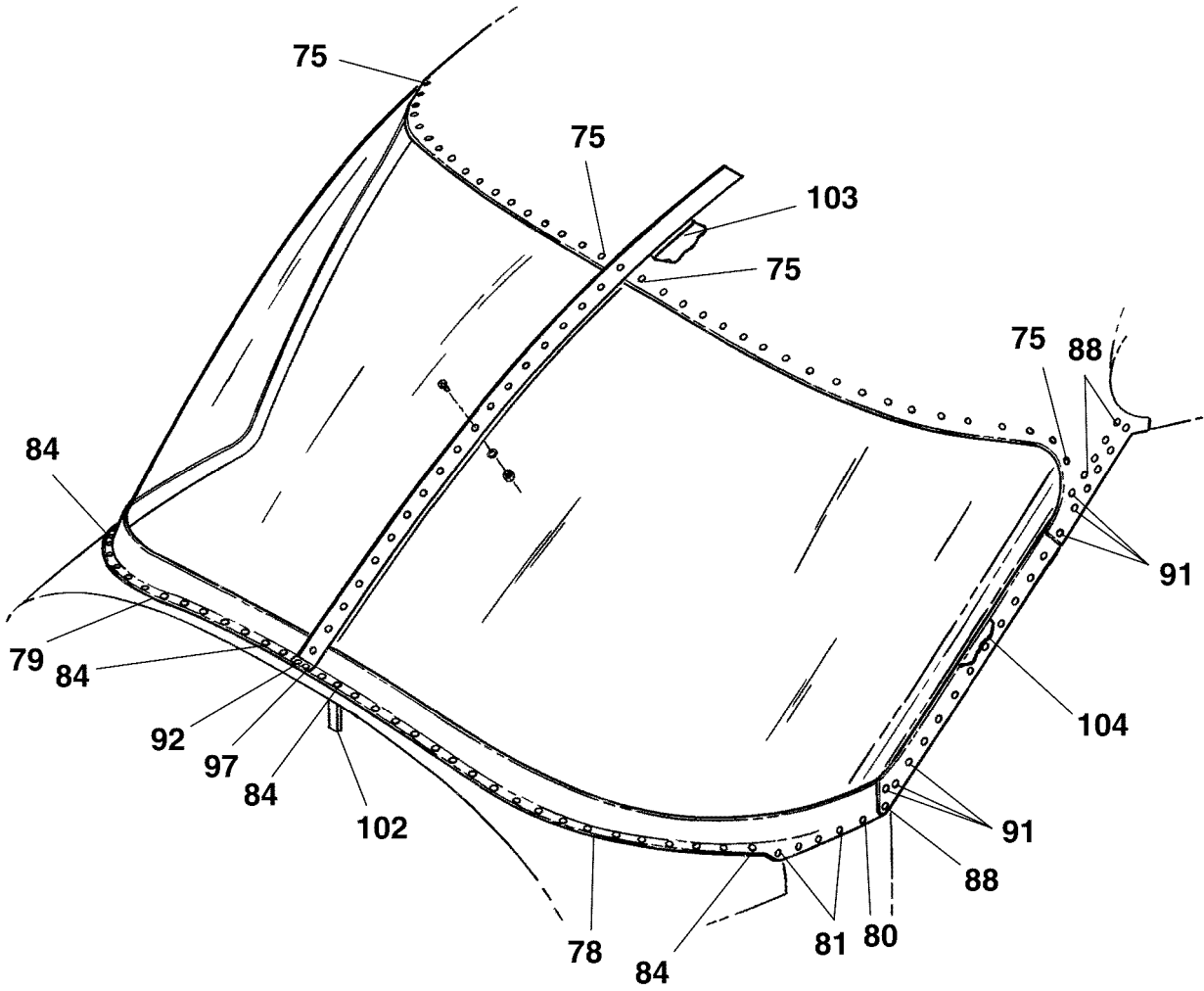
NOTE 1—WHEN INITIALLY ORDERING THIS PART FOR AIRCRAFT PRIOR TO -0013 ALSO ORDER 2615060-3 & 2615060-4 MOULDING IN CHAPTER 25

NOTE 2—REFER TO MAINTENANCE MANUAL FOR APPLICATION PROCEDURES.

NOTE 3—WHEN ORDERING DDA PART NUMBERS, ALSO PROVIDE REFERENCE DRAWING NUMBER SHOWN IN NOMENCLATURE COLUMN.

CESSNA®
MODEL 208
ILLUSTRATED PARTS CATALOG

A25311



WINDSHIELD INSTALLATION
FIGURE 01 (SHEET 2)

26132004

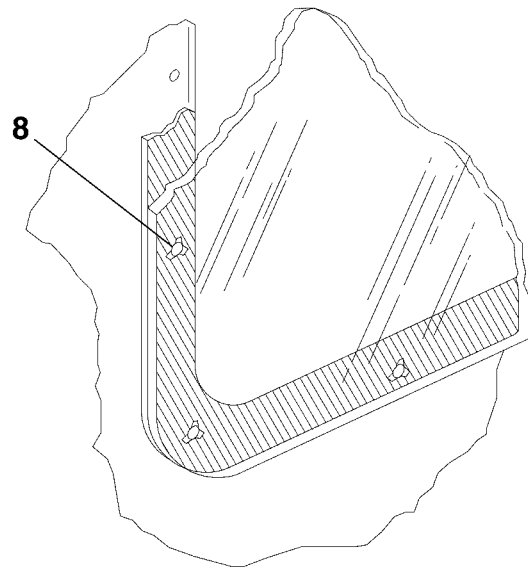
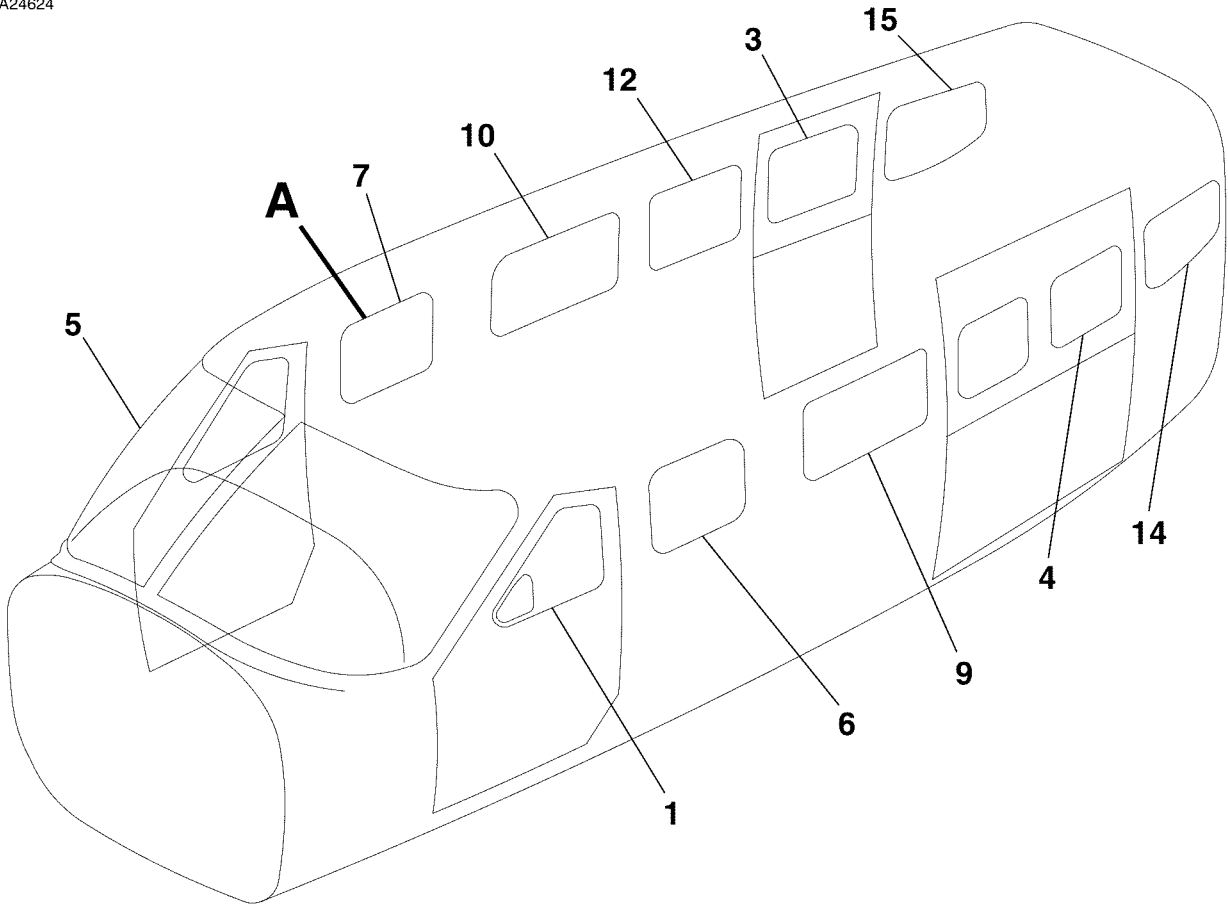
CESSNA®
MODEL 208
ILLUSTRATED PARTS CATALOG

| FIG ITEM | PART NUMBER | 1 2 3 4 5 6 7 | NOMENCLATURE | UNITS PER ASSY | |
|-------------|---------------|---------------|--|----------------------|------|
| | | | | | |
| 01 | | | | | |
| 75 | MS24694-S55 | . | SCREW | | 37 |
| - 76 | NAS1149F0363P | . | WASHER | | 37 |
| - 77 | MS21044N3 | . | NUT | | 37 |
| 78 | 2613125-1 | . | RETAINER-LWR LH .032 2024 T42 | | 01 |
| 79 | 2613125-2 | . | RETAINER-LWR RH .032 2024 T42 | | 01 |
| 80 | MS24694-S58 | . | SCREW-RETAINER ATTACH | | 01 |
| - 80A | MS24694-S104 | . | SCREW-RETAINER ATTACH | B2328 B2328 | 01 R |
| 81 | MS24694-S52 | . | SCREW-RETAINER ATTACH | | 04 |
| - 82 | NAS1149F0363P | . | WASHER-RETAINER ATTACH | | 05 |
| - 82A | NAS1149F0463P | . | WASHER-RETAINER ATTACH | B2328 B2328 | 01 R |
| - 83 | MS21044N3 | . | NUT-RETAINER ATTACH | | 05 |
| - 83A | MS21044N4 | . | NUT-RETAINER ATTACH | B2328 B2328 | 01 R |
| 84 | MS24693-S26 | . | SCREW-RETAINER ATTACH | 0001 0010 | 19 |
| - 85 | MS21047L06 | . | NUTPLATE-RETAINER ATTACH | 0001 0010 | 19 |
| - 86 | MS24694S3 | . | SCREW-RETAINER ATTACH | 0011 & ON | 19 |
| | | | | B0001 & ON | |
| - 87 | MS21047L08 | . | NUTPLATE-RETAINER ATTACH | 0011 & ON | 19 |
| | | | | B0001 & ON | |
| 88 | MS24694-S58 | . | SCREW | | 09 |
| - 88A | MS24694-S104 | . | SCREW | B2328 B2328 | 01 R |
| - 89 | NAS1149F0363P | . | WASHER | | 09 |
| - 89A | NAS1149F0463P | . | WASHER | B2328 B2328 | 09 R |
| - 90 | MS21044N3 | . | NUT | | 09 |
| - 90A | MS21044N4 | . | NUT | B2328 B2328 | 09 R |
| 91 | MS24694-S57 | . | SCREW | | 06 |
| 92 | MS24694-S55 | . | SCREW | | 01 |
| - 93 | NAS1149F0363P | . | WASHER | 0001 0049 | 01 |
| - 94 | MS21044N3 | . | NUT | 0001 0049 | 01 |
| - 95 | MS21047L3 | . | NUTPLATE | 0050 & ON | 01 |
| | | | | B0001 & ON | |
| - 96 | S1972-4 | . | RIVET | 0050 & ON | 02 |
| | | | | B0001 & ON | |
| 97 | MS24694-S56 | . | SCREW | | 01 |
| - 98 | NAS1149F0363P | . | WASHER | 0001 0049 | 01 |
| - 99 | MS21044N3 | . | NUT | 0001 0049 | 01 |
| - 100 | MS21073L3 | . | NUTPLATE | 0050 & ON | 01 |
| | | | | B0001 & ON | |
| - 101 | S1972-5 | . | RIVET | 0050 & ON | 02 |
| | | | | B0001 & ON | |
| 102 | 2613000-27 | . | SUPPORT ASSY-WIRE BUNDLE .080 2024 T42 | | 01 |
| 103 | 2613244-1 | . | FILLER .040 2024 T42 | | 01 |
| 104 | 2613141-3 | . | SHIM-LH | 0001 0325 | 01 |
| | | | | B0001 B0824 | |
| - 104A | 2613141-5 | . | SHIM-LH | 0326 & ON | 01 |
| | | | | B0825 & ON | |
| - 105 | 2613141-4 | . | SHIM-RH | 0001 0325 | 01 |
| | | | | B0001 B0824 | |
| - 105A | 2613141-6 | . | SHIM-RH | 0326 & ON | 01 |
| | | | | B0825 & ON | |

- ITEM NOT ILLUSTRATED

CESSNA®
MODEL 208
ILLUSTRATED PARTS CATALOG

A24624



DETAIL A

CABIN WINDOWS INSTALLATION
FIGURE 01 (SHEET 1)

26112004
A26131003A

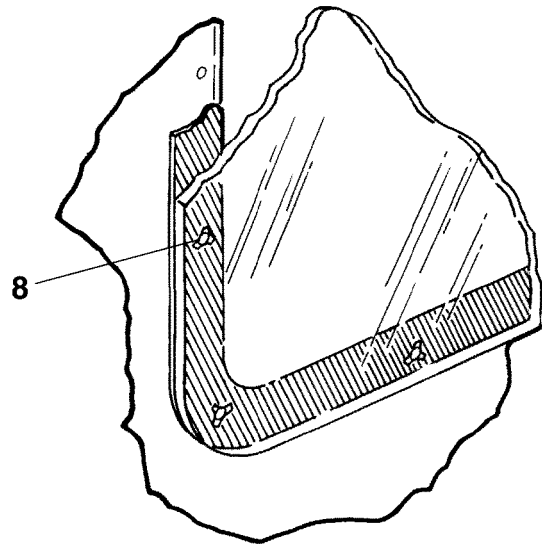
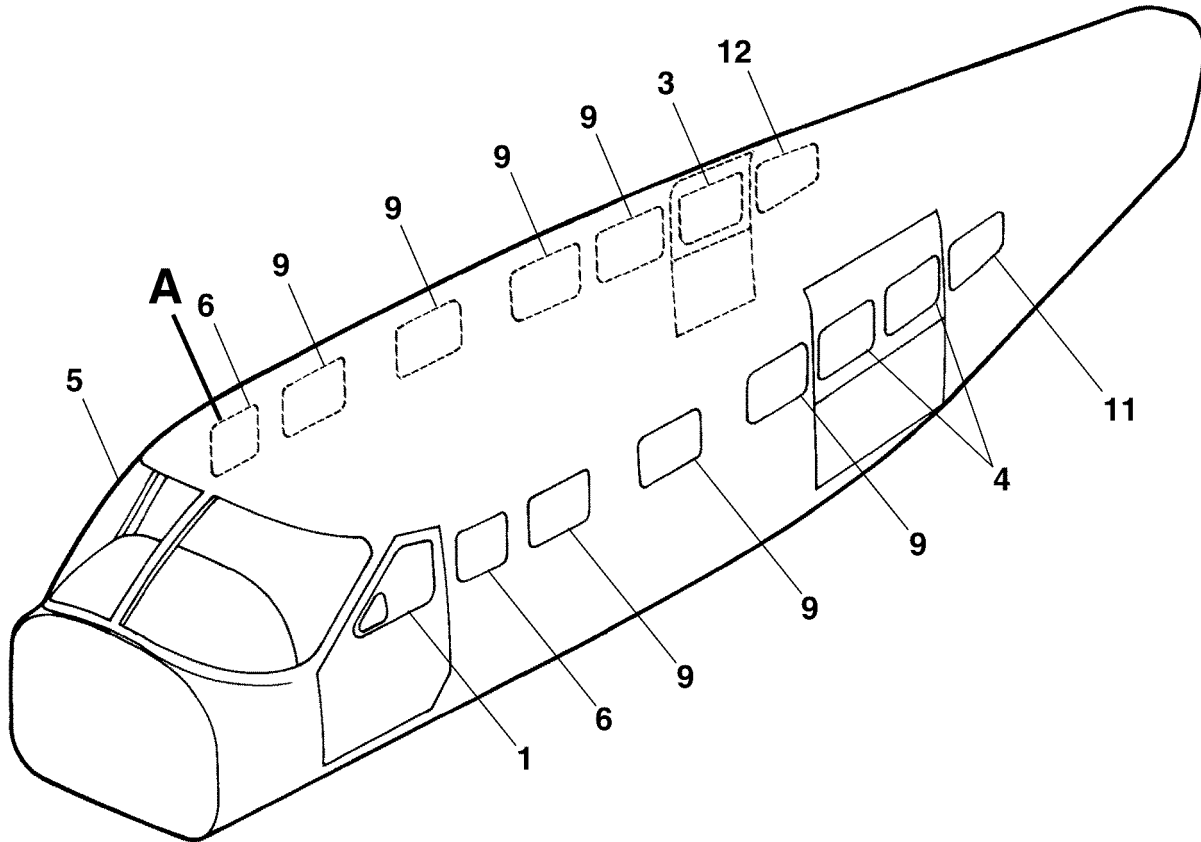
CESSNA®
MODEL 208
 ILLUSTRATED PARTS CATALOG

| FIG ITEM | PART NUMBER | NOMENCLATURE | | | | | | | UNITS PER ASSY |
|-------------|--------------|----------------------------|---|---|---|---|---|-----------|----------------------|
| | | 1 | 2 | 3 | 4 | 5 | 6 | 7 | |
| 01 | | CABIN WINDOWS INSTALLATION | | | | | | | |
| - | | | | | | | | 0001 & ON | RF |
| 1 | | | | | | | | | RF |
| - 2 | | | | | | | | | RF |
| 3 | | | | | | | | | RF |
| 4 | | | | | | | | | RF |
| 5 | | | | | | | | | RF R |
| 6 | 2611024-1 | | | | | | | | 01 |
| 7 | 2611024-1 | | | | | | | | 01 |
| | | | | | | | | | |
| | | | | | | | | | |
| 8 | C7358-014-27 | | | | | | | V78553 | 20 |
| | | | | | | | | | |
| | | | | | | | | | |
| 9 | 2611024-2 | | | | | | | | 01 |
| 10 | 2611024-2 | | | | | | | | 01 |
| | | | | | | | | | |
| - 11 | C7358-014-27 | | | | | | | V78553 | 28 |
| | | | | | | | | | |
| | | | | | | | | | |
| 12 | 2611024-1 | | | | | | | | 01 |
| | | | | | | | | | |
| - 13 | C7358-014-27 | | | | | | | V78553 | 20 |
| | | | | | | | | | |
| | | | | | | | | | |
| 14 | 2612057-1 | | | | | | | | 01 |
| 15 | 2612057-2 | | | | | | | | 01 |
| | | | | | | | | | |
| - 16 | C7358-014-27 | | | | | | | V78553 | 20 |
| | | | | | | | | | |

- ITEM NOT ILLUSTRATED

CESSNA®
MODEL 208
ILLUSTRATED PARTS CATALOG

A24625



DETAIL A

26112006
A26131003A

CABIN WINDOWS INSTALLATION PASSENGER VERSION
FIGURE 02 (SHEET 1)

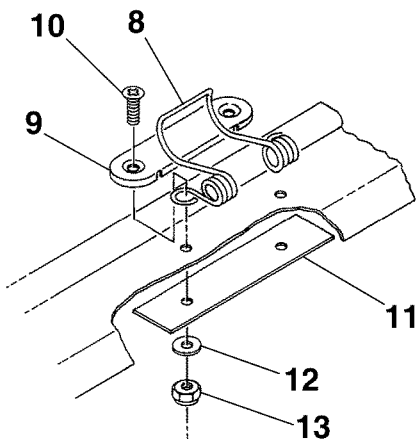
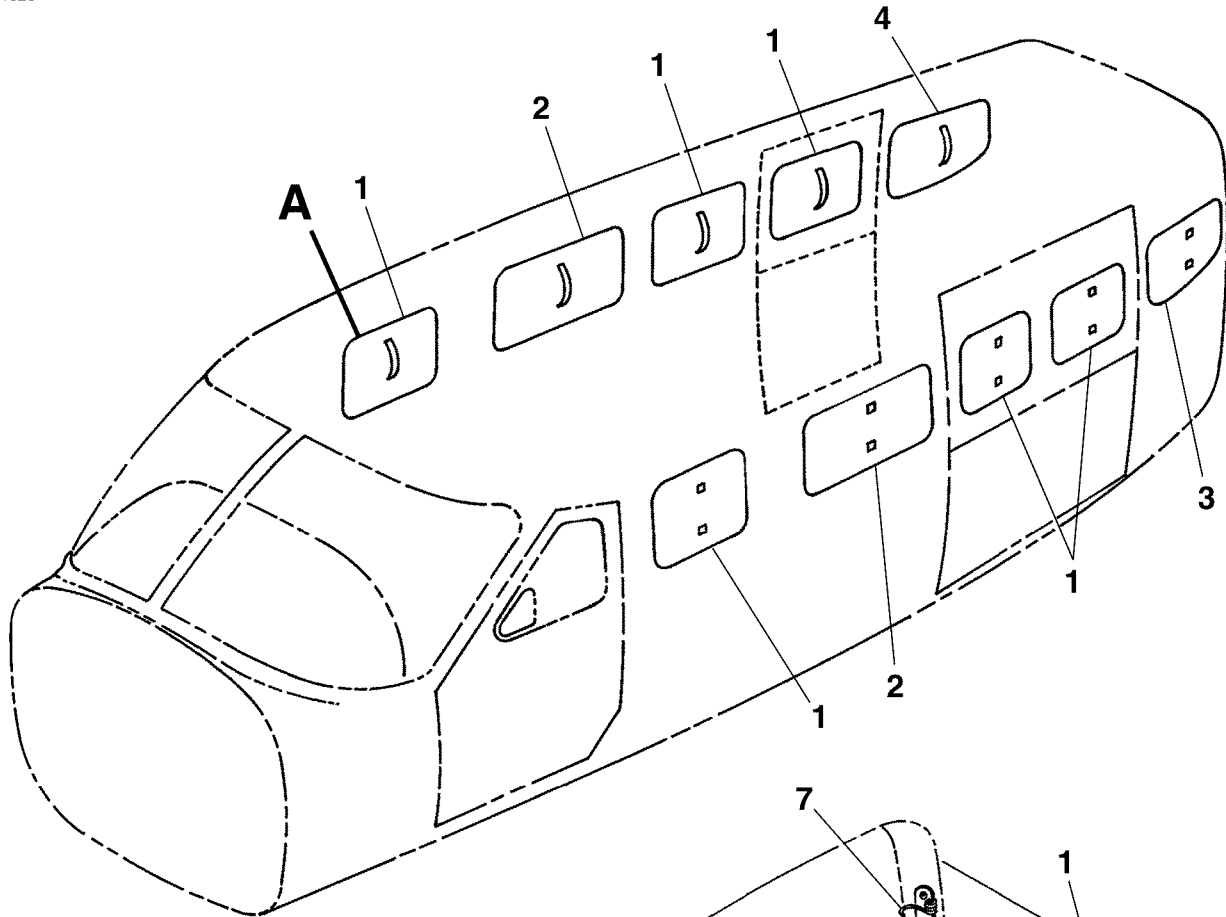
CESSNA®
MODEL 208
ILLUSTRATED PARTS CATALOG

| FIG ITEM | PART NUMBER | NOMENCLATURE | UNITS PER ASSY | |
|-------------|--------------|---|----------------------|----------|
| | | | 1 2 3 4 5 6 7 | |
| 02 | | CABIN WINDOWS INSTALLATION PASSENGER VERSION | B0214 | & ON RF |
| - | | | | |
| 1 | | . WINDOW-CREW DOOR LH REFER TO 56-30-00 FIGURE 01 | | RF |
| - 2 | | . WINDOW-CREW DOOR RH REFER TO 56-30-00 FIGURE 01 | | RF |
| 3 | | . WINDOW-PASSENGER DOOR RH REFER TO 56-30-00 FIGURE 01 | | RF |
| 4 | | . WINDOW-CARGO DOOR LH REFER TO 56-30-00 FIGURE 02 | | RF |
| 5 | | . WINDSHIELD INSTALLATION REFER TO 56-10-00 FIGURE 01 | | RF |
| 6 | 2611024-4 | . WINDOW-CABIN | B0214 | B0258 02 |
| - 7 | 2611024-5 | . WINDOW-CABIN | B0259 | & ON 02 |
| | | ATTACHING PARTS | | |
| 8 | S1632-3 | . RETAINER-SELF LOCKING ALT FOR C12003-012-4 | | 18 R |
| - 8A | C7358-014-27 | . RETAINER-SELF LOCKING ALT FOR C12003-012-4 V78553 | | 18 R |
| - 8B | C12003-012-4 | . RETAINER-SELF LOCKING ALT FOR S1632-3 AND C7358-014-27 V3F8S3 | | 18 R |
| | | —*— | | |
| 9 | 2611024-1 | . WINDOW-CABIN | | 07 |
| | | ATTACHING PARTS | | |
| - 10 | S1632-3 | . RETAINER-SELF LOCKING ALT FOR C12003-012-4 | | 20 R |
| - 10A | C7358-014-27 | . RETAINER-SELF LOCKING ALT FOR C12003-012-4 V78553 | | 20 R |
| - 10B | C12003-012-4 | . RETAINER-SELF LOCKING ALT FOR S1632-3 AND C7358-014-27 V3F8S3 | | 20 R |
| | | —*— | | |
| 11 | 2612057-1 | . WINDOW-CABIN LH | | 01 |
| 12 | 2612057-2 | . WINDOW-CABIN RH | | 01 |
| | | ATTACHING PARTS | | |
| - 13 | S1632-3 | . RETAINER-SELF LOCKING ALT FOR C12003-012-4 | | 20 R |
| - 13A | C7358-014-27 | . RETAINER-SELF LOCKING ALT FOR C12003-012-4 V78553 | | 20 R |
| - 13B | C12003-012-4 | . RETAINER-SELF LOCKING ALT FOR S1632-3 AND C7358-014-27 V3F8S3 | | 20 R |
| | | —*— | | |

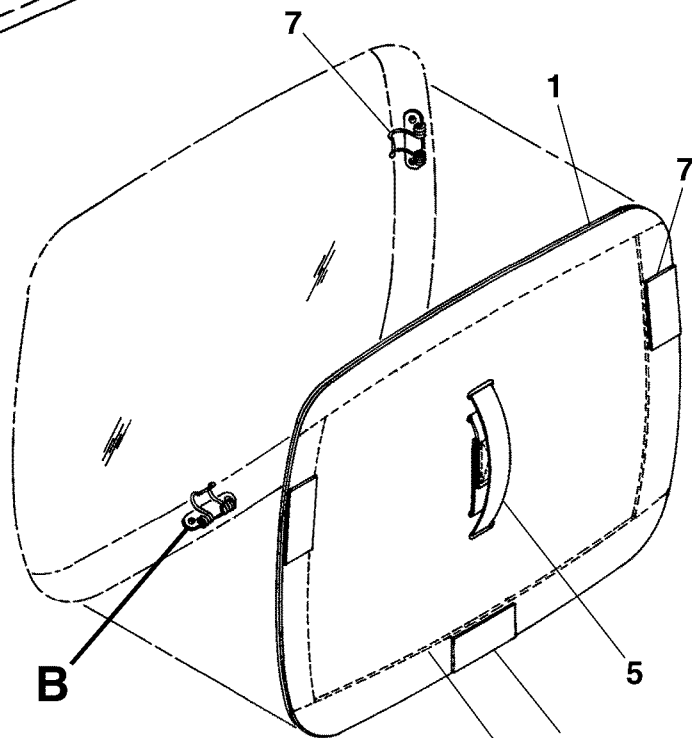
- ITEM NOT ILLUSTRATED

CESSNA®
MODEL 208
 ILLUSTRATED PARTS CATALOG

A24626



TYPICAL 30 PLACES
DETAIL B



TYPICAL 10 PLACES
DETAIL A

WINDOW PLUG INSTALLATION
 FIGURE 01 (SHEET 1)

26142028
 A26142029
 B26141058

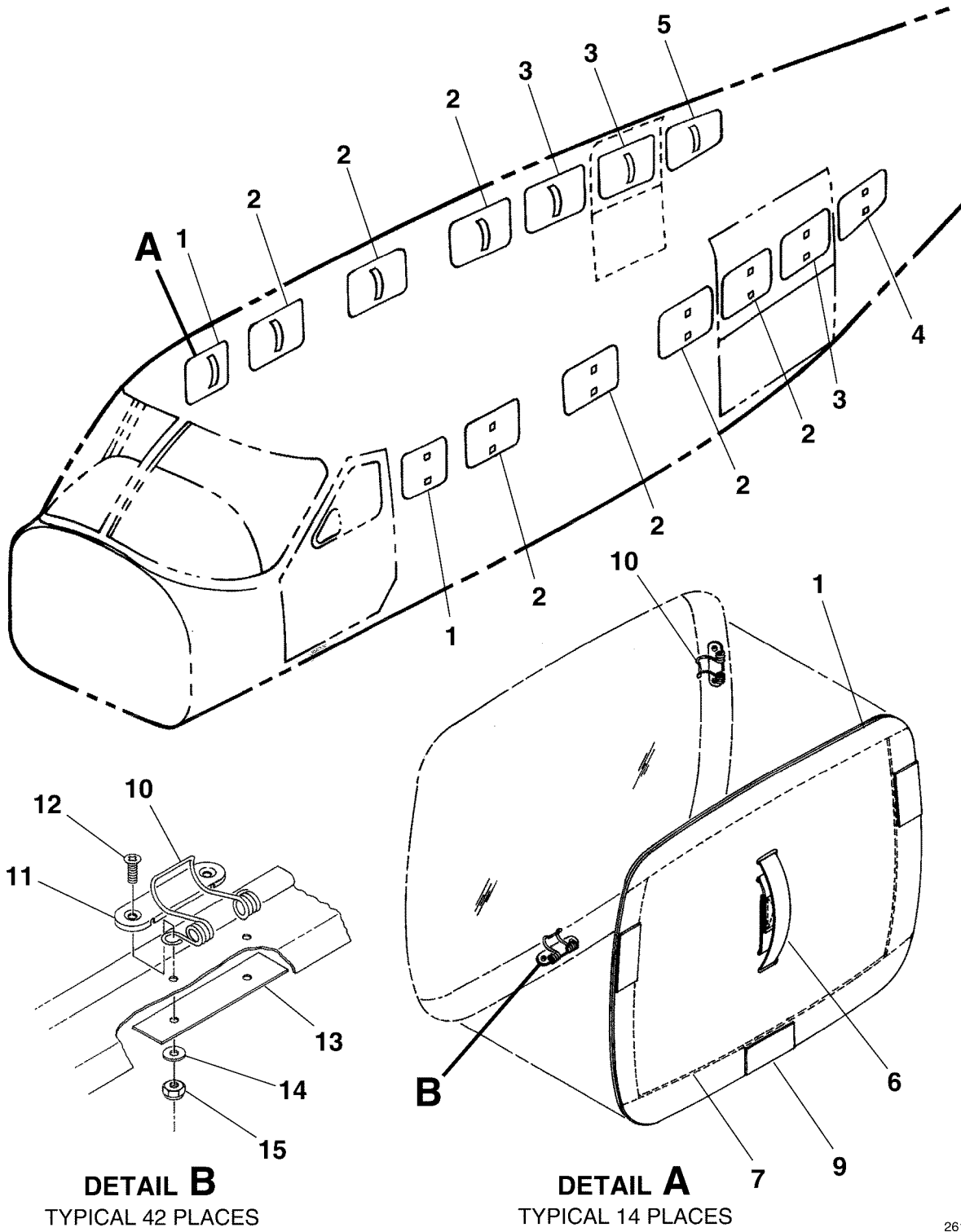
CESSNA®
MODEL 208
 ILLUSTRATED PARTS CATALOG

| FIG ITEM | PART NUMBER | NOMENCLATURE | 1 2 3 4 5 6 7 | | | | | | | UNITS PER ASSY | | |
|-------------|---------------|-------------------------------------|---------------|--|--|--|--|--|--|----------------------|------|------|
| | | | | | | | | | | | | |
| 01 | | WINDOW PLUG INSTALLATION | | | | | | | | 0114 | & ON | RF |
| - | | | | | | | | | | | | |
| 1 | 2601338-16 | . PLUG ASSY-WINDOW | | | | | | | | | | 06 |
| 2 | 2601338-17 | . PLUG ASSY-WINDOW | | | | | | | | | | 02 |
| 3 | 2601338-15 | . PLUG ASSY-WINDOW AFT LH | | | | | | | | | | 01 |
| 4 | 2601338-14 | . PLUG ASSY-WINDOW AFT RH | | | | | | | | | | 01 |
| 5 | 2601338-12 | . . STRAP | | | | | | | | | | 01 |
| 6 | G881816 | . . STRIP-FELT | | | | | | | | | | AR |
| 7 | 2601338-22 | . . RUB STRIP | | | | | | | | | | 03 |
| 8 | 2601338-10 | . CLIP | | | | | | | | | | 30 |
| 9 | S2081-2 | . COVER | | | | | | | | | | 30 |
| | | ATTACHING PARTS | | | | | | | | | | |
| 10 | MS24693-S27 | . SCREW | | | | | | | | | | 02 R |
| 11 | 2601338-11 | . STIFFENER | | | | | | | | | | 01 |
| 12 | NAS1149FN616P | . WASHER | | | | | | | | | | 02 |
| 13 | MS21044N06 | . NUT | | | | | | | | | | 02 |
| | | —*— | | | | | | | | | | |

- ITEM NOT ILLUSTRATED

CESSNA®
MODEL 208
 ILLUSTRATED PARTS CATALOG

A24627



DETAIL B
 TYPICAL 42 PLACES

DETAIL A
 TYPICAL 14 PLACES

WINDOW PLUG INSTALLATION - PASSENGER VERSION
 FIGURE 02 (SHEET 1)

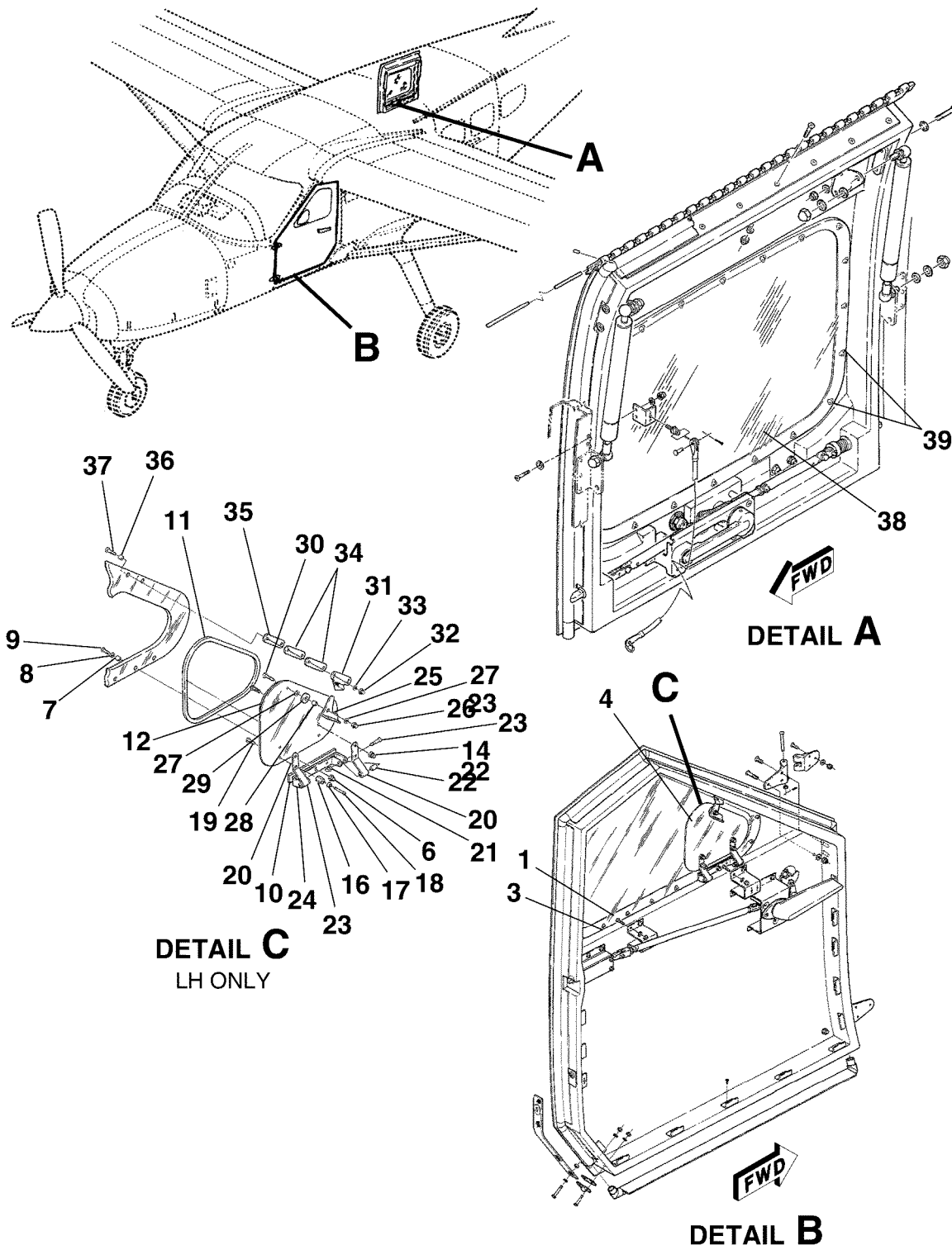
2611M2006A
 A26142029
 B26141058

CESSNA®
MODEL 208
 ILLUSTRATED PARTS CATALOG

| FIG ITEM | PART NUMBER | NOMENCLATURE | UNITS | | |
|-------------|---------------|---|-------|------|------|
| | | | PER | ASSY | |
| | | 1 2 3 4 5 6 7 | | | |
| 02 | | WINDOW PLUG INSTALLATION - PASSENGER VERSION | B0214 | & ON | RF R |
| - | | | | | |
| 1 | 2601414-2 | . PLUG ASSY-WINDOW | | | 02 |
| 2 | 2601414-5 | . PLUG ASSY-WINDOW | | | 07 |
| 3 | 2601338-16 | . PLUG ASSY-WINDOW | | | 03 |
| 4 | 2601338-14 | . PLUG ASSY-WINDOW | | | 01 |
| 5 | 2601338-15 | . PLUG ASSY-WINDOW | | | 01 |
| 6 | 2601338-12 | . . STRAP | | | 01 |
| 7 | 505BLACK | . . STRIP-FELT USED ON 2601338-12,-14,-16,-18 | | | AR |
| - 8 | S1389-7 | . . STRIP-FELT BKI USED ON 2601414-2,-5 | | | AR |
| 9 | 2601338-22 | . . RUB STRIP | | | 03 |
| 10 | 2601338-10 | . CLIP | | | 42 |
| 11 | S2081-2 | . COVER | | | 42 |
| | | ATTACHING PARTS | | | |
| 12 | MS24693-S27 | . SCREW | | | 02 |
| 13 | 2601338-11 | . STIFFENER | | | 01 |
| 14 | NAS1149FN616P | . WASHER | | | 02 |
| 15 | MS21044N06 | . NUT | | | 02 |
| | | —*— | | | |

CESSNA®
MODEL 208
 ILLUSTRATED PARTS CATALOG

A24628



CREW AND PASSENGER DOOR WINDOWS
 FIGURE 01 (SHEET 1)

26141054
 26141056
 A26143016
 B26142048
 C26142024

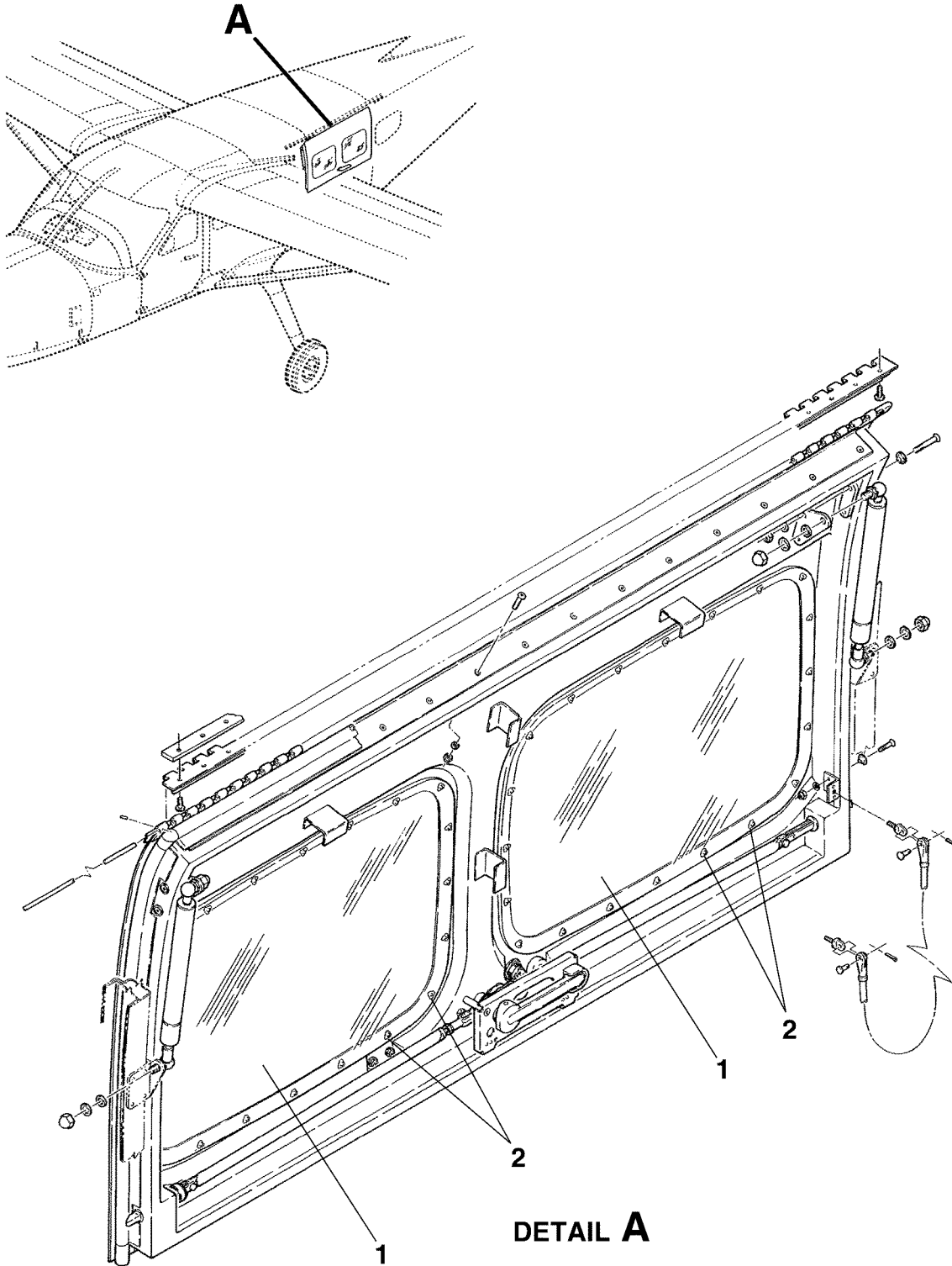
**CESSNA®
MODEL 208
ILLUSTRATED PARTS CATALOG**

| FIG ITEM | PART NUMBER | NOMENCLATURE | UNITS PER ASSY | | |
|-------------|---------------|--|----------------------|-------|------|
| | | | 1 | 2 | 3 |
| 01 | | CREW AND PASSENGER DOOR WINDOWS | | | RF |
| - 1 | 2617059-1 | . WINDOW-CREW DOOR LH | | | 01 |
| - 2 | 2617059-2 | . WINDOW-CREW DOOR RH | | | 01 |
| | | ATTACHING PARTS | | | |
| 3 | C7358-014-27 | . RING- RETAINER V78553 | | | 18 |
| | | —*— | | | |
| 4 | 2617024-1 | . VENT WINDOW ASSY LH ONLY FSO 2617024-6 | 0001 | 0131 | NP |
| | | | B0001 | B0054 | |
| - 5 | 2617024-3 | . VENT WINDOW ASSY LH ONLY FSO 2617024-6 | 0132 | 0320 | NP |
| | | | B0055 | B0821 | |
| - 5A | 2617024-6 | . VENT WINDOW ASSY LH ONLY | 0321 | & ON | 01 |
| | | | B0822 | & ON | |
| | | ATTACHING PARTS | | | |
| 6 | S1914-5 | . NUT-CAP LH ONLY | | | 03 R |
| | | —*— | | | |
| 7 | S307-3-0002 | . TUBE LH ONLY | | | 03 |
| 8 | NAS1149FN832P | . WASHER LH ONLY | | | 03 |
| 9 | AN525-832R9 | . SCREW LH ONLY | | | 03 |
| 10 | 2617005-1 | . SHIM LH ONLY | 0132 | & ON | 01 |
| 11 | S2108-7 | . SEAL BKI LH ONLY | | | 01 |
| 12 | 2617024-2 | . VENT WINDOW LH ONLY FSO 2617024-7 | 0001 | 0131 | NP |
| | | | B0001 | B0054 | |
| - 13 | 2617024-4 | . VENT WINDOW LH ONLY FSO 2617024-7 | 0132 | 0320 | NP |
| | | | B0055 | B0821 | |
| - 13A | 2617024-7 | . VENT WINDOW LH ONLY | 0321 | & ON | 01 |
| | | | B0822 | & ON | |
| | | ATTACHING PARTS | | | |
| 14 | S1914-5 | . NUT-CAP LH ONLY | 0001 | 0131 | 04 |
| | | | B0001 | B0054 | |
| - 15 | S1914-5 | . NUT-CAP LH ONLY | 0132 | & ON | 03 R |
| | | | B0055 | & ON | |
| | | —*— | | | |
| 16 | 2617001-1 | . SPACER LH ONLY | 0132 | & ON | 01 |
| | | | B0055 | & ON | |
| 17 | 432XC | . BUMPER LH ONLY | 0132 | & ON | 01 |
| | | | B0055 | & ON | |
| - 17A | 2085-W/017 | . BUMPER LH ONLY-ALT FOR 432XC | 0132 | & ON | 01 |
| | | | B0055 | & ON | |
| | | ATTACHING PARTS | | | |
| 18 | MS35206-243 | . SCREW LH ONLY | 0132 | & ON | 01 |
| | | | B0055 | & ON | |
| 19 | AN525-832R9 | . SCREW LH ONLY | | | 04 |
| | | —*— | | | |
| 20 | 2511167-1 | . HINGE STRAP-VENT WINDOW LH ONLY | | | 02 |
| | | ATTACHING PARTS | | | |
| 21 | S1914-8 | . NUT-CAP LH ONLY | | | 01 |
| 22 | NAS43HT3-34 | . SPACER-HINGE STRAP LH ONLY | | | 01 |
| | | —*— | | | |
| 23 | MS27039-1-14 | . SCREW LH ONLY | | | 01 |
| 24 | 2511166-1 | . HINGE BRACKET ASSY | | | 01 |
| 25 | 2511122-1 | . HANDLE-VENT WINDOW LH ONLY | | | 01 |
| | | ATTACHING PARTS | | | |
| 26 | S1914-8 | . NUT-CAP LH ONLY | | | 01 R |
| | | —*— | | | |
| 27 | NAS1149F0363P | . WASHER LH ONLY | | | 02 |
| 28 | NAS43DD3-17FC | . SPACER LH ONLY | | | 01 |
| - 28A | NAS43DD3-17N | . SPACER LH ONLY ALT FOR NAS43DD3-17FC | | | 01 |
| 29 | 2511126-1 | . SPACER-VENT WINDOW LH ONLY | | | 01 |
| 30 | AN525-10R14 | . SCREW LH ONLY | | | 01 |
| 31 | 2511130-2 | . STOP-VENT WINDOW LH ONLY | | | 01 |
| | | ATTACHING PARTS | | | |
| 32 | S1914-5 | . NUT-CAP LH ONLY | | | 02 R |
| | | —*— | | | |
| 33 | NAS1149FN832P | . WASHER LH ONLY | | | 02 |
| 34 | S2300-17 | . BRACKET-STOP LH ONLY | | | 02 |
| 35 | S2300-17 | . BRACKET-STOP LH ONLY | 0098 | & ON | 01 |
| | | | B0001 | & ON | |
| 36 | S307-3-0002 | . TUBE LH ONLY | | | 02 |
| | | ATTACHING PARTS | | | |
| 37 | AN525-832R16 | . SCREW LH ONLY | | | 02 |
| | | —*— | | | |
| 38 | 2611024-1 | . WINDOW-PASSENGER DOOR | | | 01 |
| | | ATTACHING PARTS | | | |
| 39 | C7358-014-27 | . RING-RETAINER V78553 | | | 20 |
| | | —*— | | | |

- ITEM NOT ILLUSTRATED

CESSNA®
MODEL 208
ILLUSTRATED PARTS CATALOG

A24629



DETAIL A

CARGO DOOR WINDOWS
FIGURE 02 (SHEET 1)

26141056
A26144065

CESSNA®
MODEL 208
 ILLUSTRATED PARTS CATALOG

| FIG ITEM | PART NUMBER | NOMENCLATURE | UNITS PER ASSY | | |
|-------------|--------------|--|----------------------|------|------|
| | | | 1 | 2 | 3 |
| 02 | | CARGO DOOR WINDOWS | 0001 | & ON | RF |
| - | | | B0214 | & ON | |
| 1 | 2611024-1 | . WINDOW-CARGO DOOR ATTACHING PARTS | | | 02 |
| 2 | C7358-014-27 | . RING-RETAINER *_ | | | 20 R |

- ITEM NOT ILLUSTRATED